

Building connections that last™



# Sharpe® Series 5457

## Two-Piece Ball Valve Datasheet



# Two-Piece Ball Valve Sharpe® Series 5457



## Features

- Standard Port
- 2000 CWP (1/4"-1")  
1500 CWP (1 1/4"-2")  
150 WSP with RTFE Seats  
250 WSP with Nova Seats
- Carbon Steel ASTM A216 WCB or  
316 Stainless Steel ASTM A351 CF8M
- Threaded Ends
- Blow-Out Proof Stem
- Lockable Lever Handle

## Applicable Standards

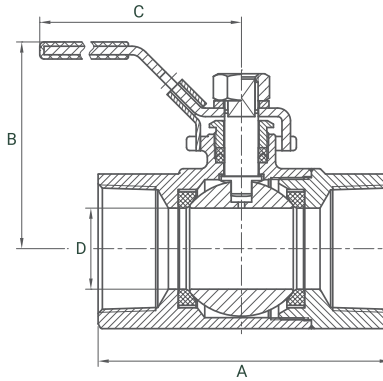
- Threaded Ends  
ASME B16.11
- Shell and Seat Pressure Test  
ASME B16.34

## Options

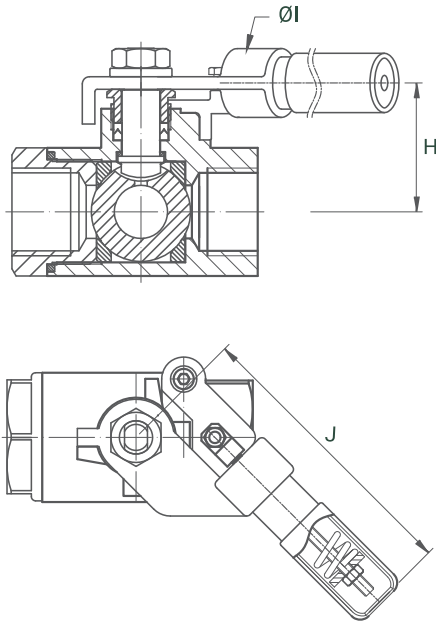
- Lockable Oval Handle
- Spring Return Handle
- Stem Extension, 2-1/2", Non-Locking

Two-Piece Ball Valve  
**Sharpe® Series 5457**

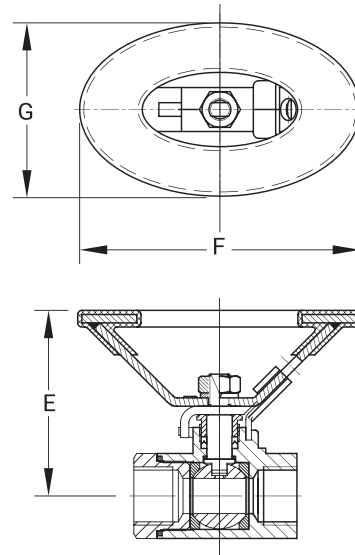
Lever Handle



Spring Return Handle



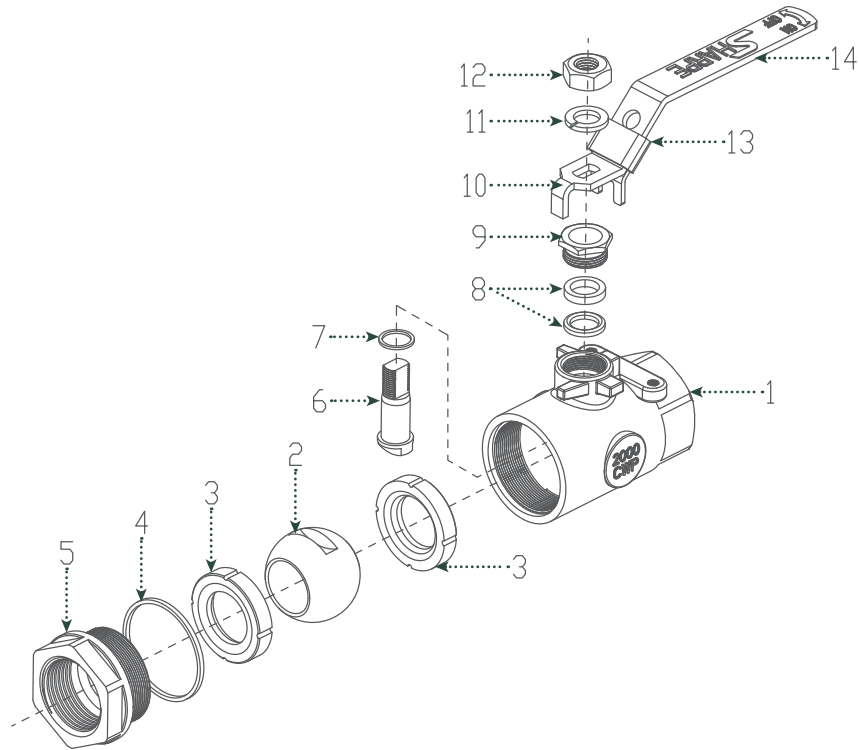
Oval Handle



Dimensions (Inches)

Size	A	B	C	D	E	F	G	H	ØI	J
¼	2.25	2.13	3.94	0.46	2.56	2.48	4.00	1.25	1.14	7.24
⅜	2.25	2.13	3.94	0.50	2.56	2.48	4.33	1.25	1.14	7.24
½	2.32	2.13	3.94	0.50	2.56	2.48	4.00	1.25	1.14	7.24
¾	3.12	2.50	4.88	0.69	2.95	2.48	4.00	1.56	1.14	7.24
1	3.40	2.66	4.88	0.88	3.11	2.48	4.00	1.70	1.14	9.21
1-¼	4.08	3.47	5.75	1.00	3.89	3.19	5.20	2.22	1.14	12.99
1-½	4.35	3.63	5.75	1.26	4.02	3.19	5.20	2.41	1.14	12.99
2	5.39	3.82	5.75	1.50	4.20	3.19	5.20	2.59	1.14	12.99

# Two-Piece Ball Valve Sharpe® Series 5457



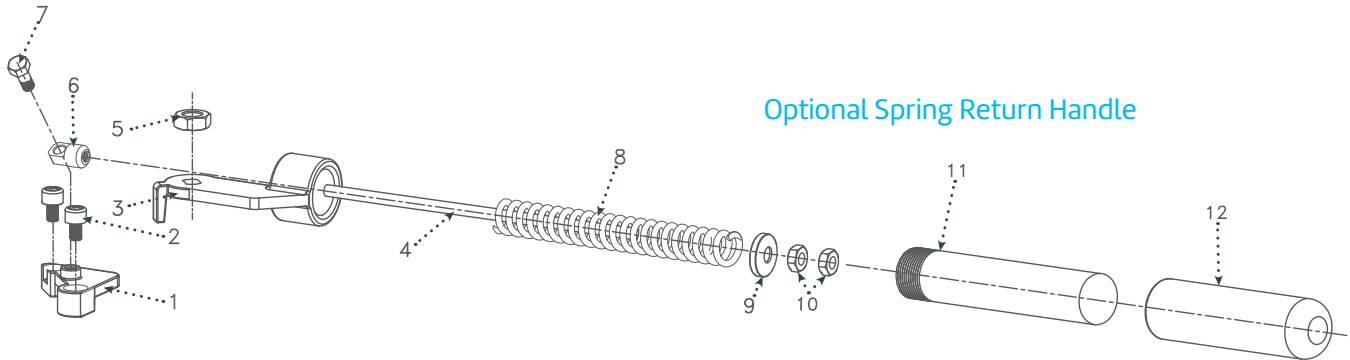
## Parts & Materials

No.	Part Name	Material	Qty.
1	Body	Carbon Steel ASTM A216 WCB or 316 Stainless Steel ASTM A351 CF8M	1
2	Ball	316 Stainless Steel	1
3	Seat*	RTFE / Nova	2
4	Body Seal*	PTFE/Graphite	1
5	End Piece	Carbon Steel ASTM A216 WCB or 316 Stainless Steel ASTM A351 CF8M	1
6	Stem	316 Stainless Steel	1
7	Thrust Bearing	PTFE	1
8	Stem Packing*	PTFE / Graphite	2
9	Packing Nut	300 Series Stainless Steel	1
10	Handle	300 Series Stainless Steel	1
11	Lock Washer	300 Series Stainless Steel	1
12	Handle Nut	300 Series Stainless Steel	1
13	Locking Device	300 Series Stainless Steel	1
14	Handle Sleeve	PVC	1

**Note:**

\*RTFE Seats come with PTFE Seals and PTFE Stem Packing.  
Nova Seats come with Graphite Seals and Graphite Stem Packing

# Two-Piece Ball Valve Sharpe® Series 5457

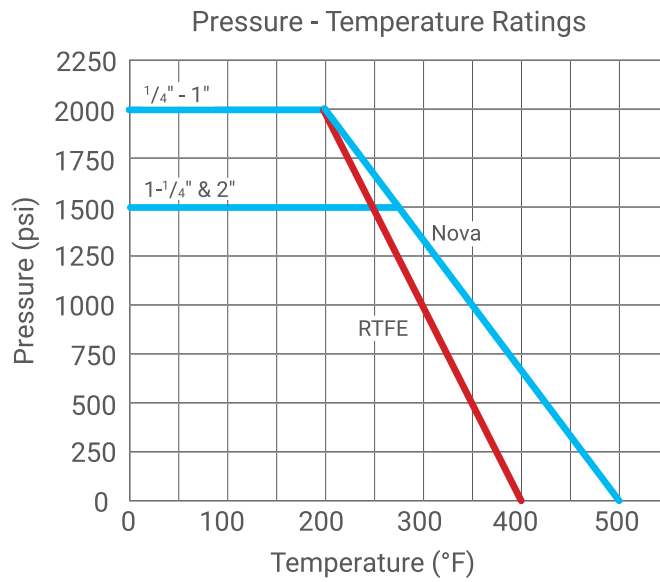


## Parts & Materials

No.	Part Name	Material	Qty.
1	Handle Gland	304 Stainless Steel	1
2	Socket Screws	300 Series Stainless Steel	2
3	Head Cap	304 Stainless Steel	1
4	Threaded Rod	300 Series Stainless Steel	1
5	Nut	300 Series Stainless Steel	1
6	Binder Nut	300 Series Stainless Steel	1
7	Machine Screws	300 Series Stainless Steel	1
8	Spring Coil	Carbon Steel	1
9	Flat Washer	300 Series Stainless Steel	1
10	Hex Nut	300 Series Stainless Steel	2
11	Handle Pipe	304 Stainless Steel	1
12	Handle Sleeve	PVC	1

**Technical Information**

Size	C <sub>v</sub>	Weight (lbs.)
1/4	6	0.7
3/8	6	0.7
1/2	9	0.7
3/4	24	1.4
1	35	1.8
1-1/4	47	3.2
1-1/2	81	4.3
2	105	6.1



Two-Piece Ball Valve  
**Sharpe® Series 5457**



How to order Series 5457

Example:

1/4	5457	-	6	R	-	
Size	Series		Body	Seat & Seals	Options and Suffixes	
1/4	5457	4	Carbon Steel	R	OH    Oval Handle	
3/8			6			Stainless Steel
1/2		N	Nova Seats; Graphite Seals; Graphite Stem Packing			
3/4						
1						
1-1/4						
1-1/2						
2						

**Note:**

Due to continuous development of our product range, we reserve the right to change the dimensions and information for this product as required.

### **About ASC Engineered Solutions**

ASC Engineered Solutions is defined by quality—in its products, services and support. With nearly 2,000 employees, the company's portfolio of precision-engineered piping support, valves and connections provides products to more than 4,000 customers across industries, such as mechanical, industrial, fire protection, oil and gas, and commercial and residential construction. Its portfolio of leading brands includes ABZ Valve®, AFCON®, Anvil®, Anvil EPS, Anvil Services, Basic-PSA, Beck®, Catawissa, Cooplet®, FlexHead®, FPPI®, Gruvlok®, J.B. Smith, Merit®, North Alabama Pipe, Quadrant®, SCI®, Sharpe®, SlideLOK®, SPF®, SprinkFLEX®, Trenton Pipe and VEP. With headquarters in Oak Brook, IL, ASC also has ISO 9001:2015 certified production facilities in PA, TN, IL, TX, AL, LA, KS, and RI.



[asc-es.com](http://asc-es.com)

Building connections that last™

FC-DS-SERIES 5457-v02 20240328

